

Information

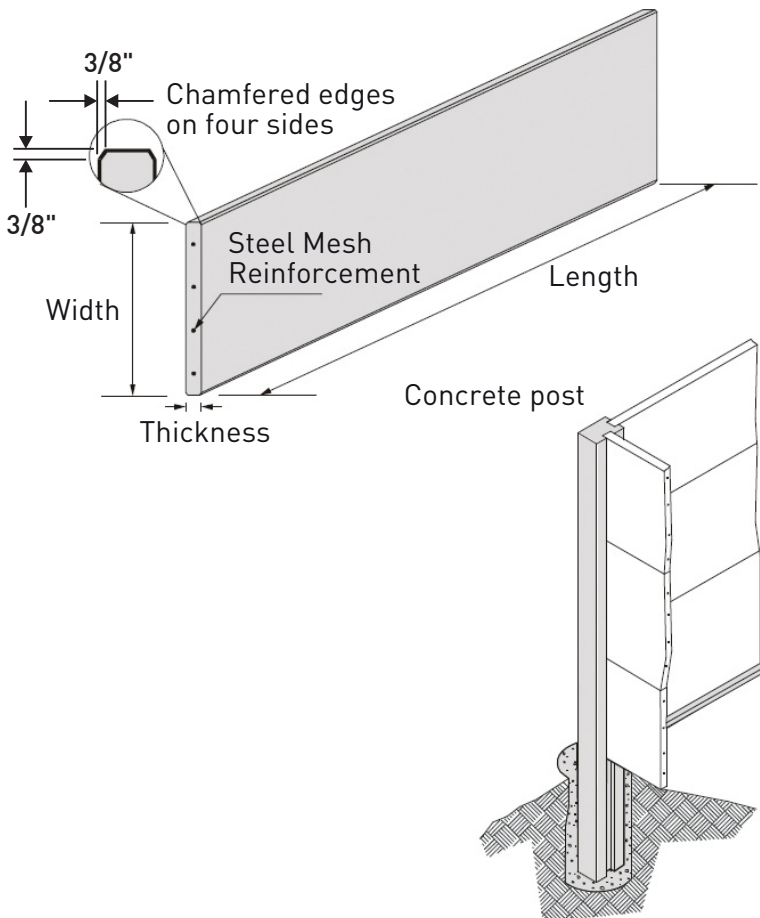
Thickness		Length	Design Weight ⁽²⁾ AAC-4		Area per Piece
in ⁽¹⁾	in*	ft	lb/ft	lb/piece	ft ²
2	1.969	8	6.14	98.45	16
3	2.953	8	9.22	147.67	16
3	2.953	10	9.22	185.40	20

⁽¹⁾ Nominal dimension, ⁽²⁾ Values consider material's moisture content.
*Exact dimension.

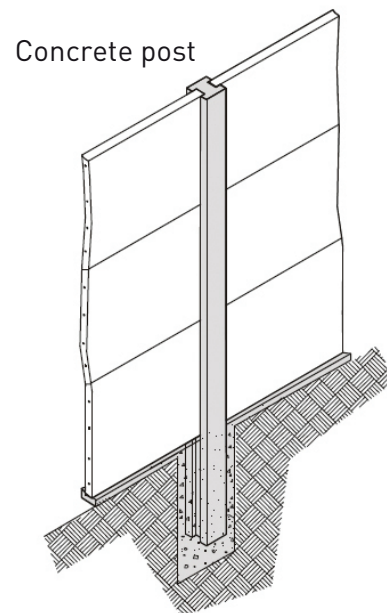


Length: 8 ft, 10 ft (2.44 m , 3.05 m)
Width: 24 in (0.61 m)

Installation Detail



AAC-4	
Design Weight ⁽²⁾	37.42 lb/ft ³
Minimum Compressive Strength	580 lb/in ²



Contact us for more information:

Litecrete, Inc.
(210)402-3223 / 1 877 41 HEBEL (1 877 41 43235)
hebel-usa@hebel.mx
www.hebel-usa.com