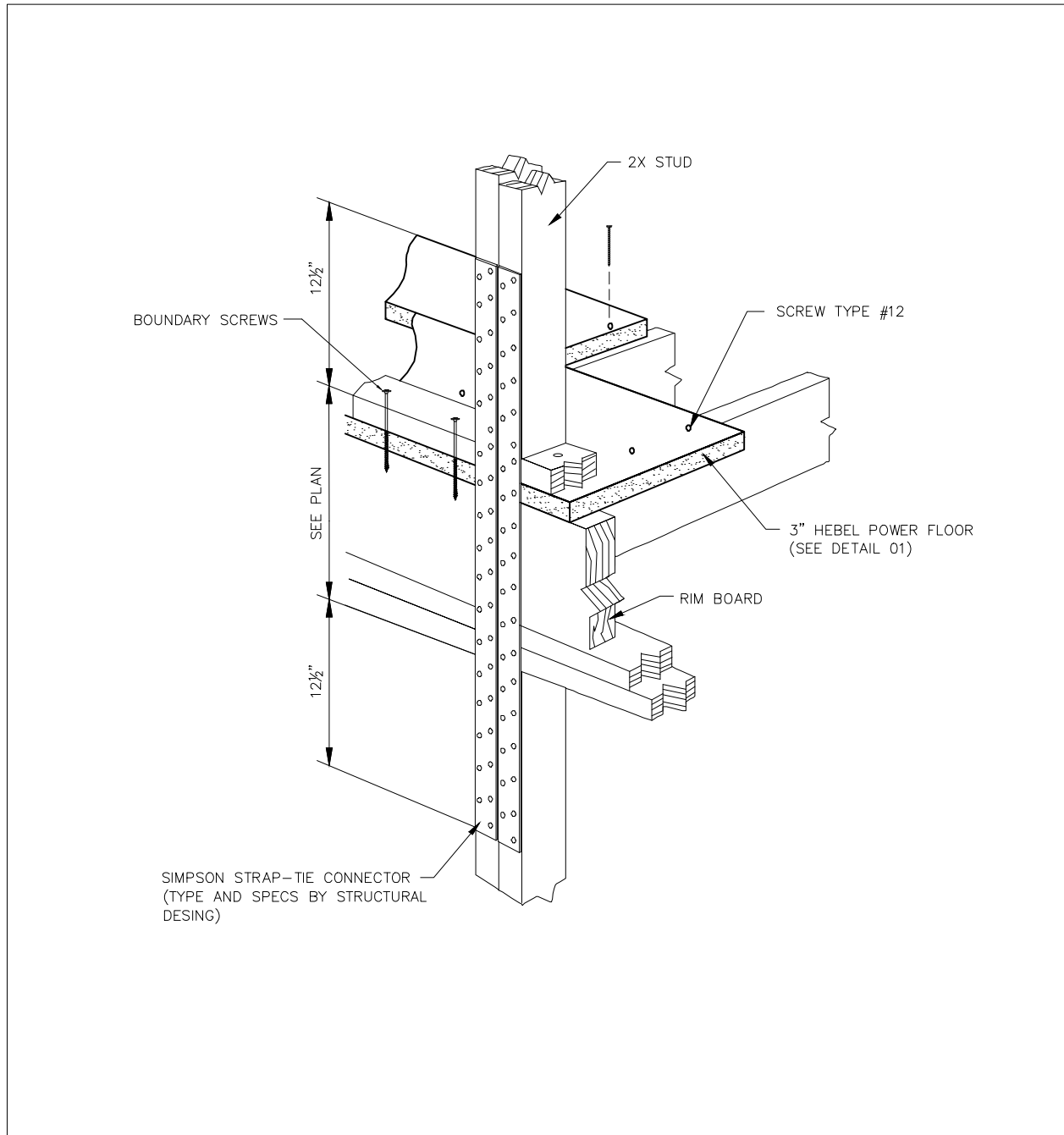


## SHEAR WALL CONNECTION WITH STRAP-TIE (WOOD)



### NOTES

- 1.-NOT SCALE
- 2.-DIMENSIONS INCHES