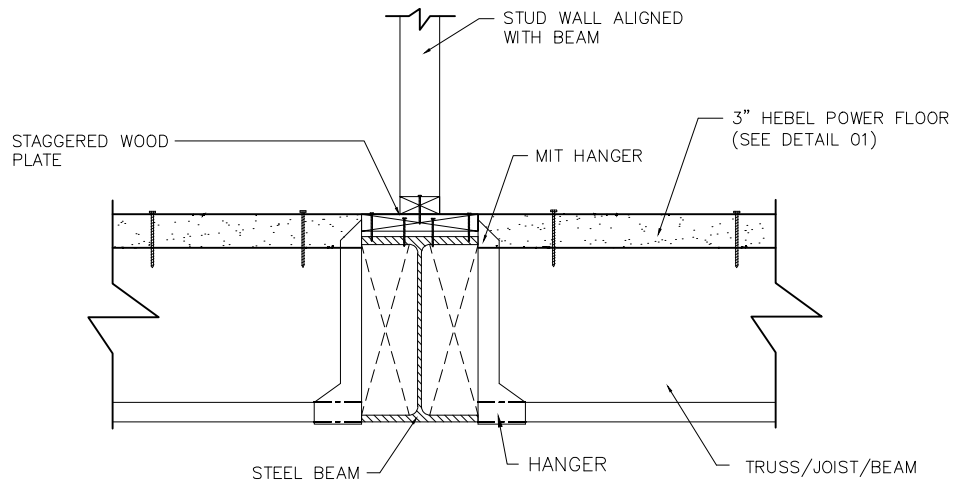


INTERIOR BEARING-WALL STEEL BEAM SUPPORT (WOOD)



NOTES

- 1.-NOT SCALE
- 2.-DIMENSIONS INCHES