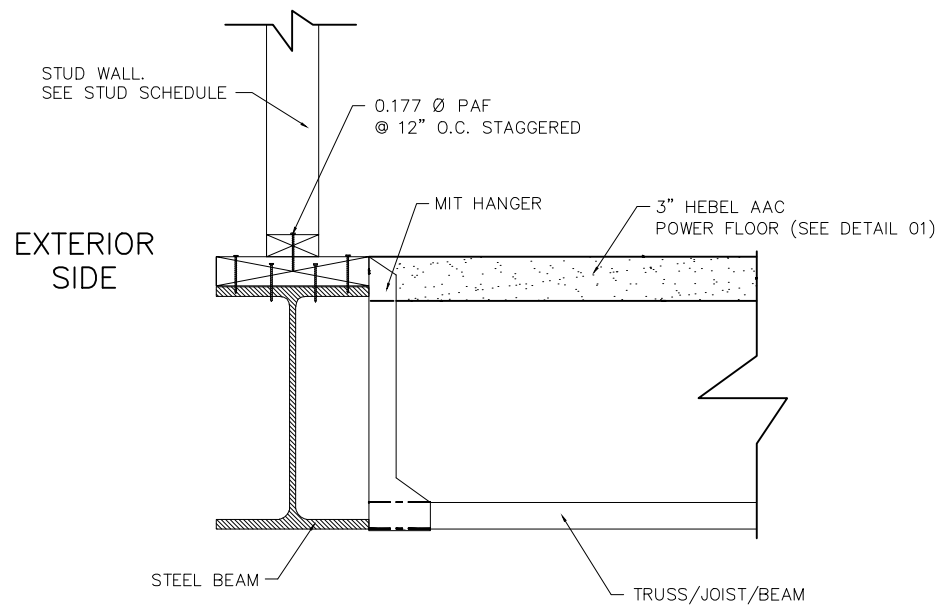


## EXTERIOR BEARING-WALL STEEL BEAM SUPPORT (WOOD)



### NOTES

- 1.-NOT SCALE
- 2.-DIMENSIONS INCHES