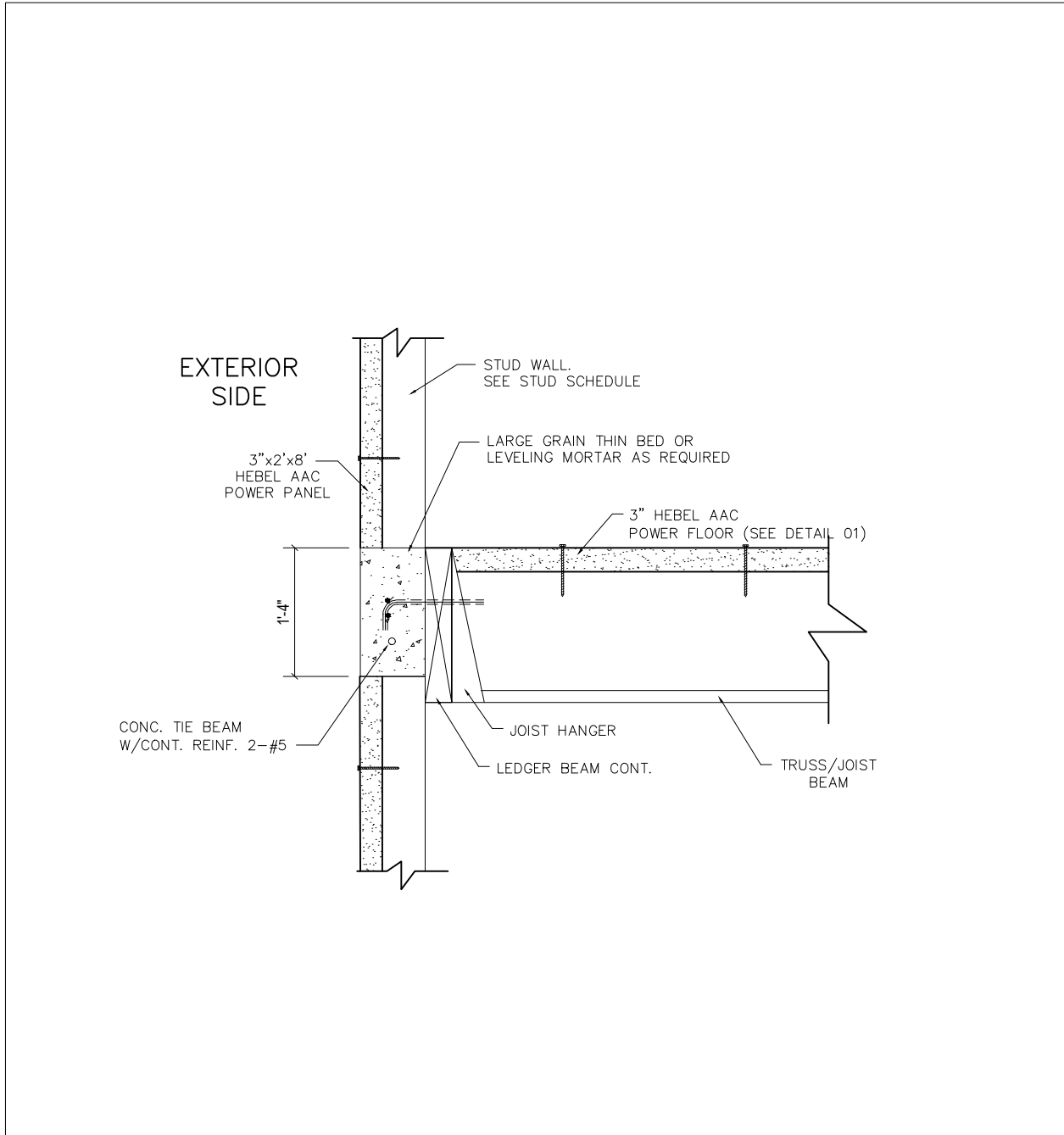


## CONCRETE TIE BEAM ANCHORAGE DETAIL (WOOD)



### NOTES

- 1.-NOT SCALE
- 2.-DIMENSIONS INCHES