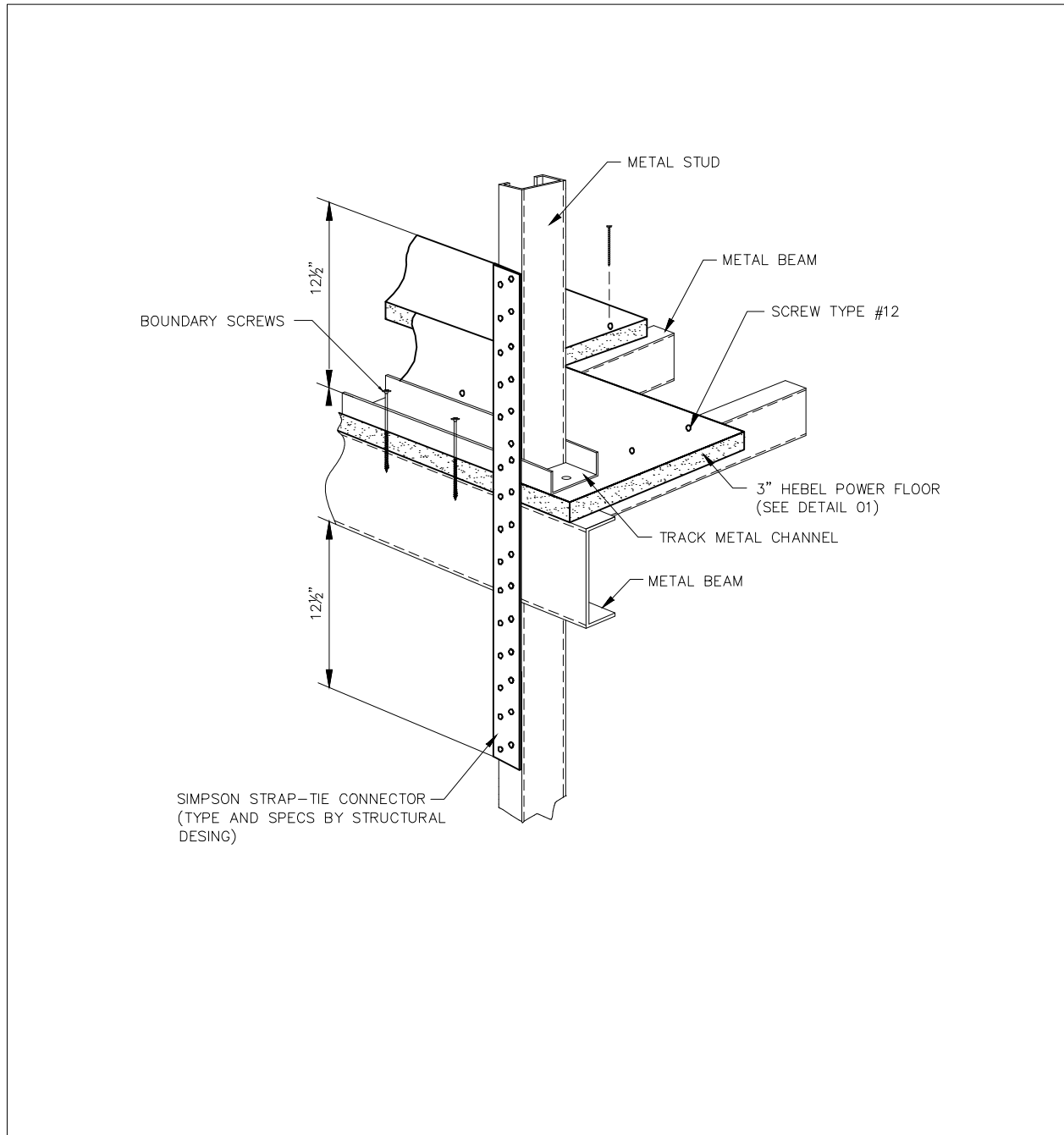


SHEAR WALL CONNECTION WITH STRAP-TIE (METAL)



NOTES

- 1.-NOT SCALE
- 2.-DIMENSIONS INCHES