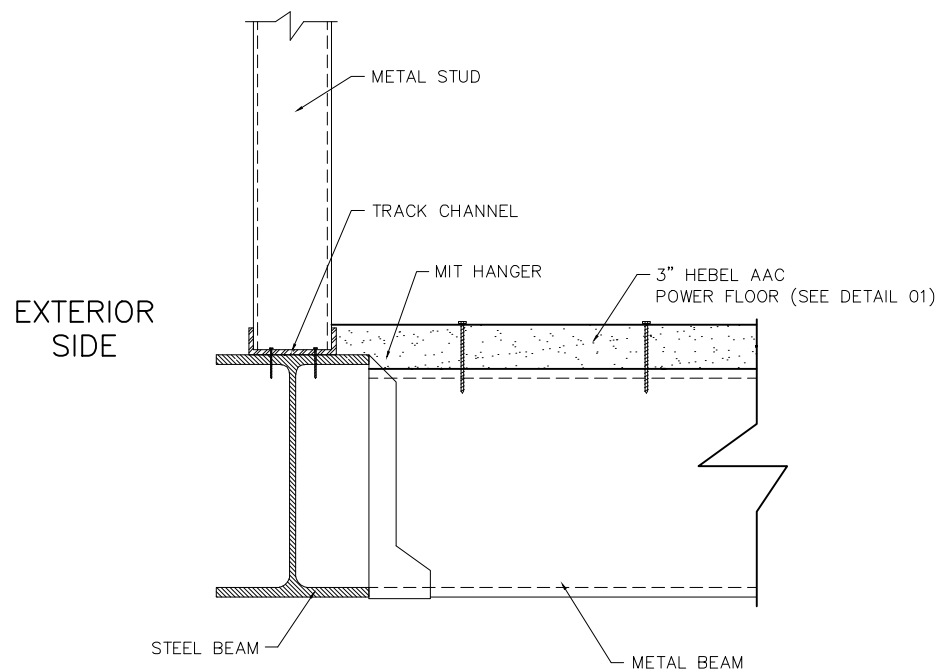


EXTERIOR BEARING-WALL STEEL BEAM SUPPORT (METAL)



NOTES

- 1.-NOT SCALE
- 2.-DIMENSIONS INCHES