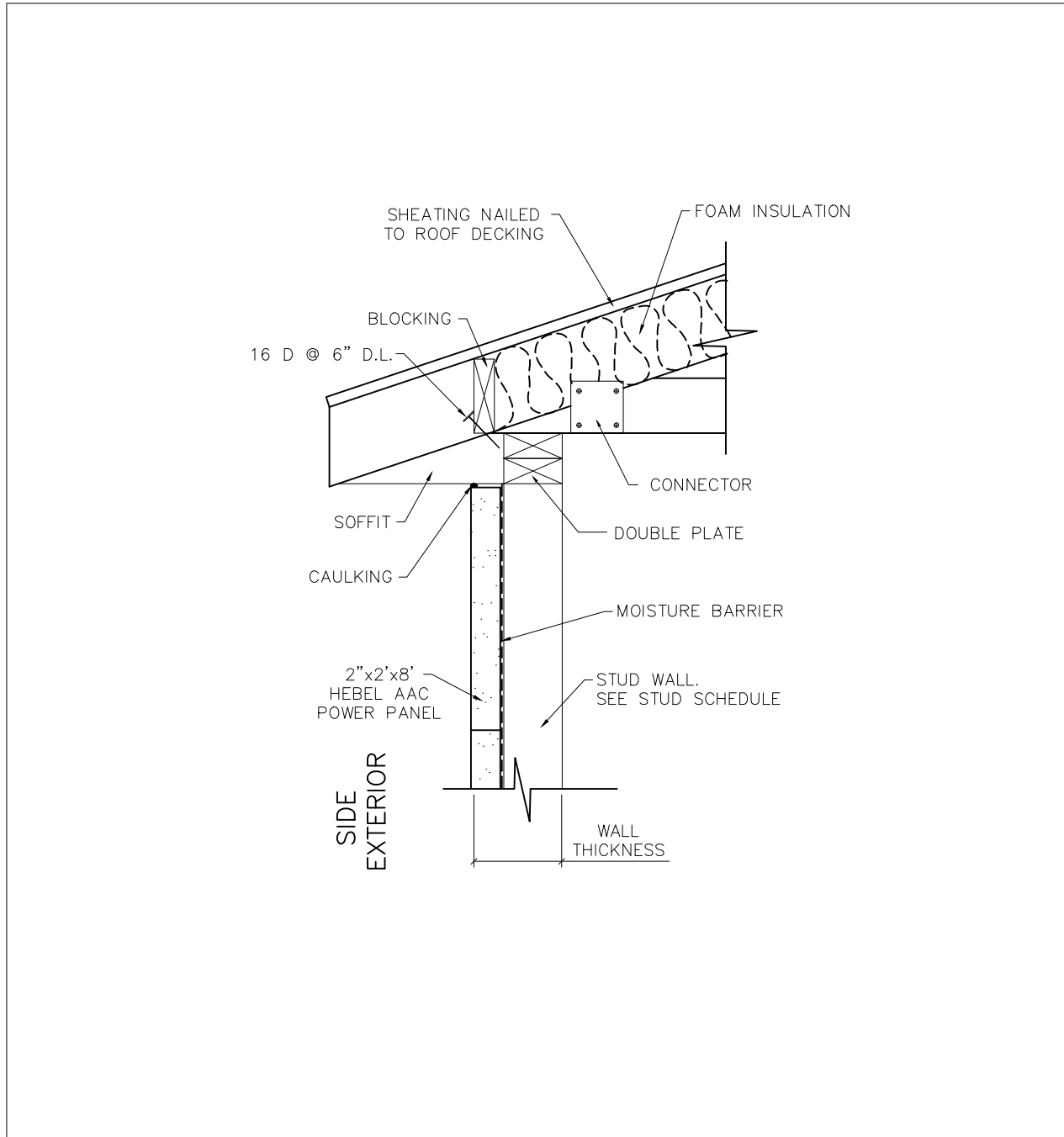


Roof Wood Truss Connection Detail Typ. To Studs W/AAC Power Panel (2")



NOTES

- 1.-NOT SCALE
- 2.-DIMENSIONS IN INCHES
- 3.-SEE CEMENT BOARD TECHNICAL SHEET PROVIDED BY SUPPLIER (DIMENSIONS)
- 4.- USE SCREW TYPE DESKFAST #12

- 5.- SEE POWER PANEL INSTALLATION GUIDE TO CONNECT TO WOOD FRAMMING.