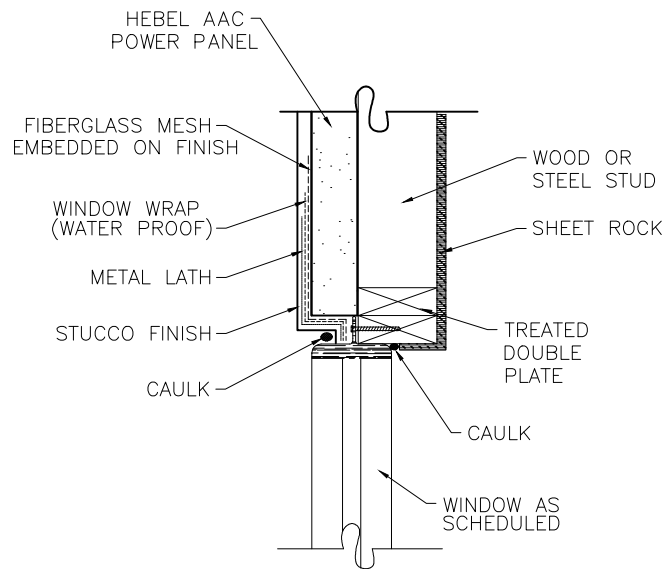


Window Header Detail (Window W / Flange)



NOTES

- 1.-NOT SCALE
- 2.-DIMENSIONS IN INCHES
- 3.-SEE CEMENT BOARD TECHNICAL SHEET PROVIDED BY SUPPLIER (DIMENSIONS)
- 4.- USE SCREW TYPE DESKFAST #12

- 5.- SEE POWER PANEL INSTALLATION GUIDE TO CONNECT TO WOOD FRAMMING.