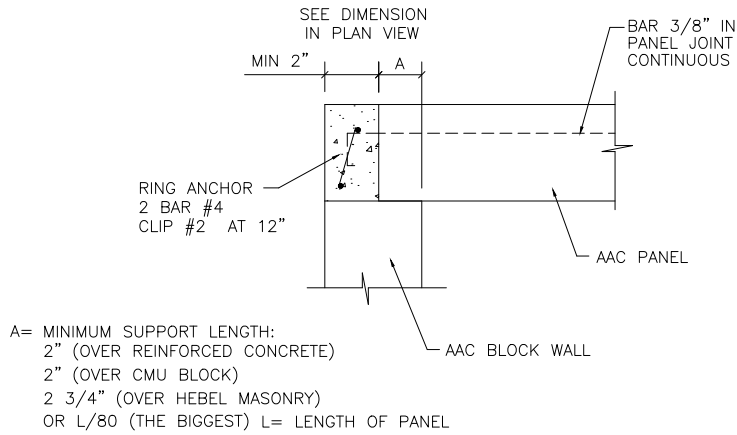


Slab Panel Floor and Roof

Technical Sheet SP-03

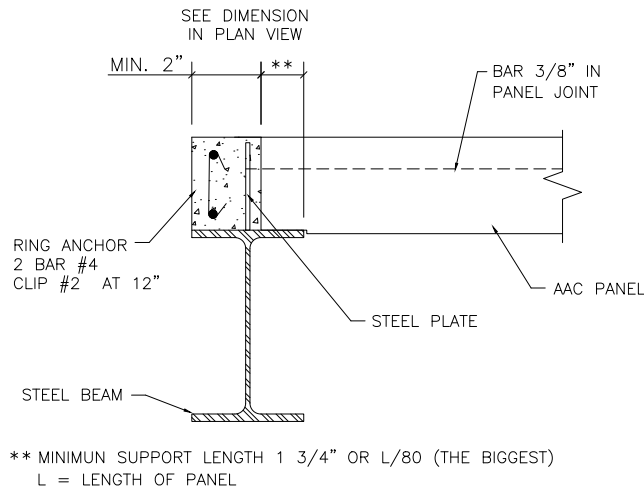


Panel Support Detail



SUPPORT OVER MASONRY WALL

w/s



SUPPORT OVER STEEL STRUCTURE

w/s

NOTES

- 1.- DIMENSIONS INCHES.
- 2.- PANEL THICKNESS AND DIMENSIONS OF REINFORCEMENT, ACCORDING STRUCTURAL DESIGN AND SHOP DRAWINGS.
- 3.- SUPPORT LENGTHS ARE RECOMMENDED.