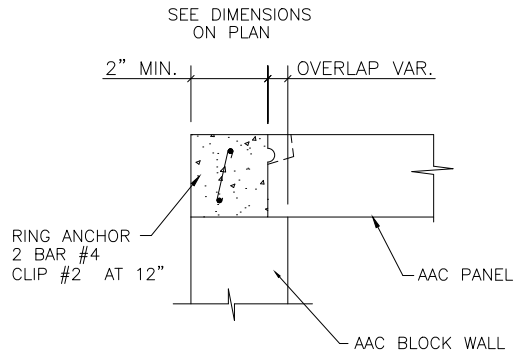


Slab Panel Floor and Roof

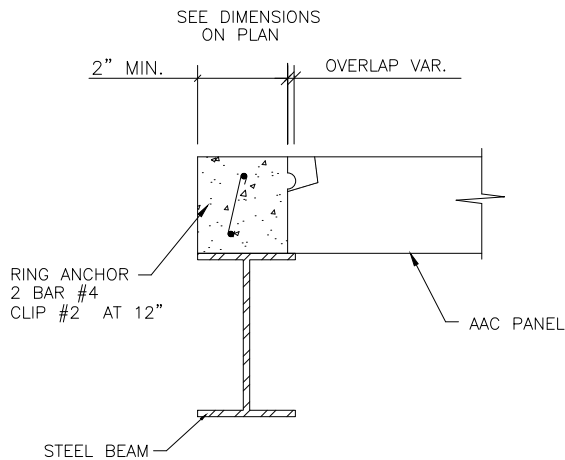
Technical Sheet SP-04



Overlap Panel Detail



SUPPORT OVER AAC BLOCK WALL
W/S



SUPPORT OVER STEEL STRUCTURE
W/S

NOTES

- 1.- DIMENSIONS INCHES
- 2.- PANEL THICKNESS AND DIMENSIONS OF REINFORCEMENT, ACCORDING STRUCTURAL DESIGN AND SHOP DRAWINGS.
- 3.- SUPPORT LENGTHS ARE RECOMENDED.