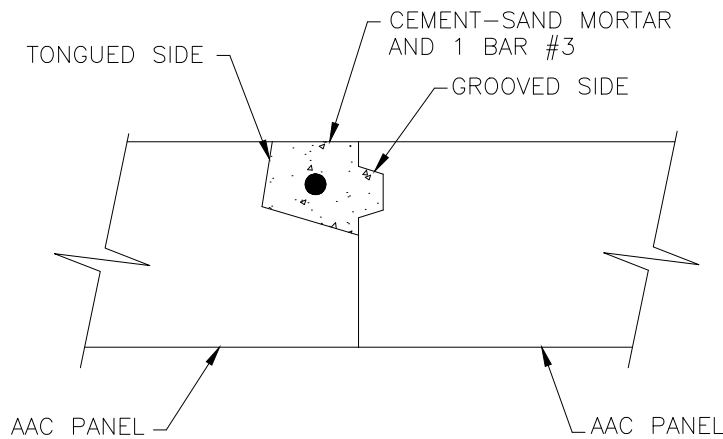


Slab Panel Floor and Roof

Technical Sheet SP-07A



Typical Panel Joint



SECTION
W/S

NOTES

- 1.- DIMENSIONS INCHES
- 2.- PANEL THICKNESS AND DIMENSIONS OF REINFORCEMENT,
ACCORDING STRUCTURAL DESIGN AND SHOP DRAWINGS.
- 3.- TYPICAL DETAIL IN CASE OF DROP CEILING.

LITCRETE S.A. DE C.V.
Río Amacuzac #1201 Ote. ■ Col. Valle Oriente ■ San Pedro Garza García, N.L. ■ México ■ 66269
Tel. +52 (81)8399-2464 +52 (81)8399-2462 Fax +52 (81)8399-2420

www.hebel-usa.com

August 2020