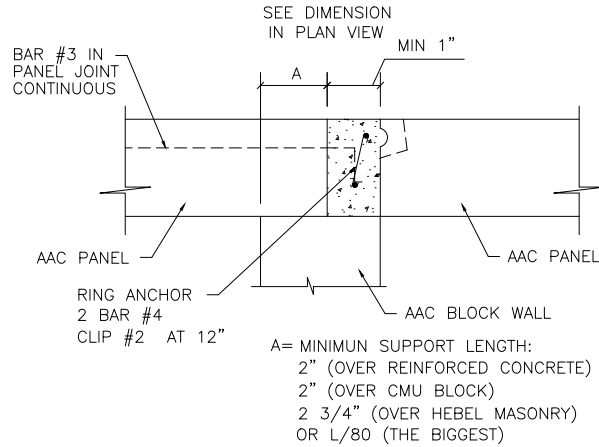


# Slab Panel Floor and Roof

Technical Sheet SP-08

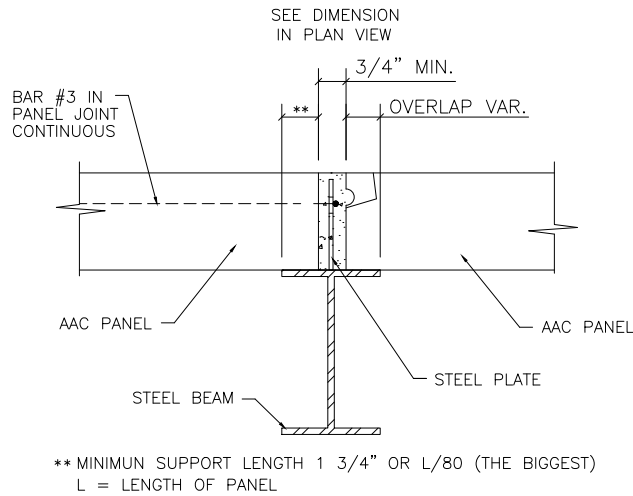


## Support and Overlap Detail



### SUPPORT OVER MASONRY WALL

w/s



### SUPPORT OVER STEEL STRUCTURE

w/s

#### NOTES

- 1.- DIMENSIONS INCHES
- 2.- PANEL THICKNESS AND DIMENSIONS OF REINFORCEMENT, ACCORDING STRUCTURAL DESIGN AND SHOP DRAWINGS.
- 3.- SUPPORT LENGTHS ARE RECOMMENDED.