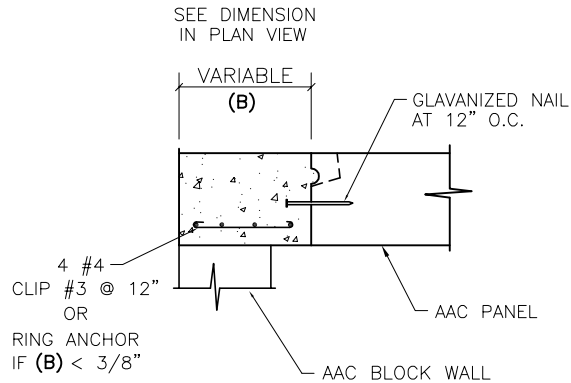


Slab Panel Floor and Roof

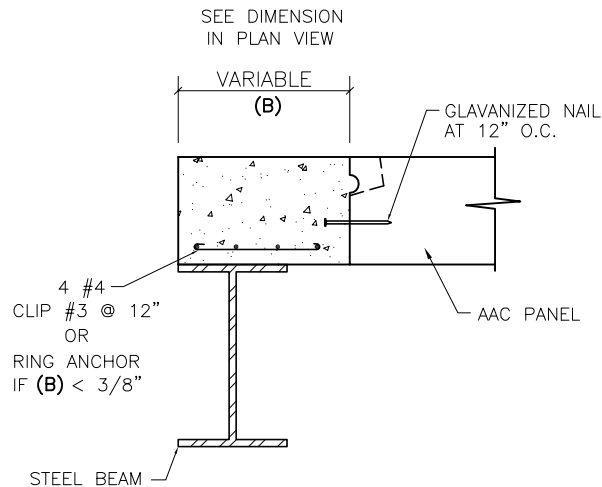
Technical Sheet SP-09

Concrete Adjustment



ADJUSTMENT OVER AAC BLOCK WALL

W/S



ADJUSTMENT OVER STEEL STRUCTURE

W/S

NOTES

- 1.- DIMENSIONS INCHES
- 2.- PANEL THICKNESS AND DIMENSIONS OF REINFORCEMENT, ACCORDING STRUCTURAL DESIGN AND SHOP DRAWINGS.
- 3.- SUPPORT LENGHTS ARE RECOMENDED.

LITECRETE S.A. DE C.V.

Río Amacuzac #1201 Ote. ■ Col. Valle Oriente ■ San Pedro Garza García, N.L. ■ México ■ 66269

Tel. +52 (81)8399-2464 +52 (81)8399-2462 Fax +52 (81)8399-2420

www.hebel.mx

August 2020