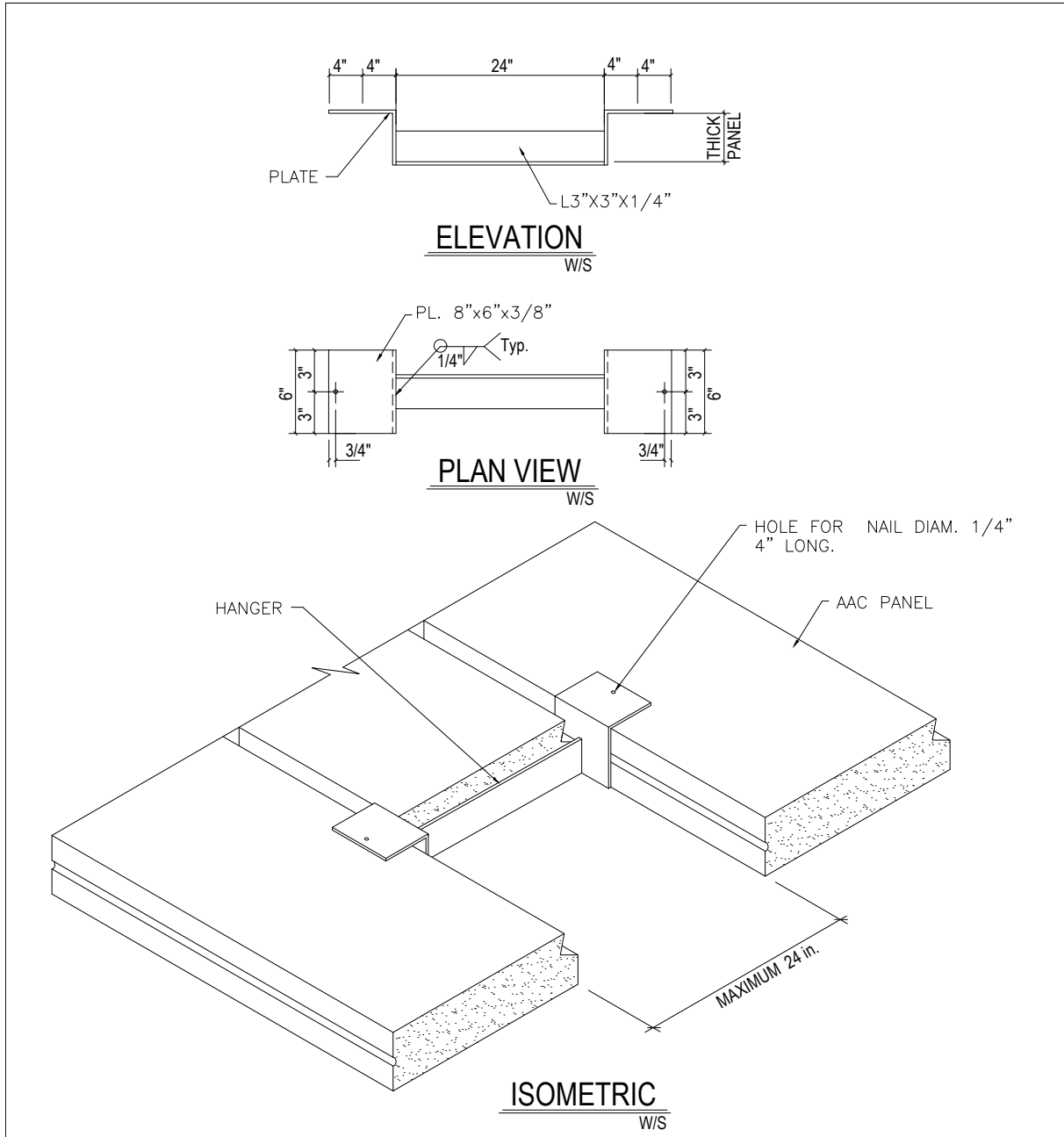


# Slab Panel Floor and Roof

Technical Sheet SP-12



## Hanger Detail



### NOTES

1.- DIMENSIONS INCHES.