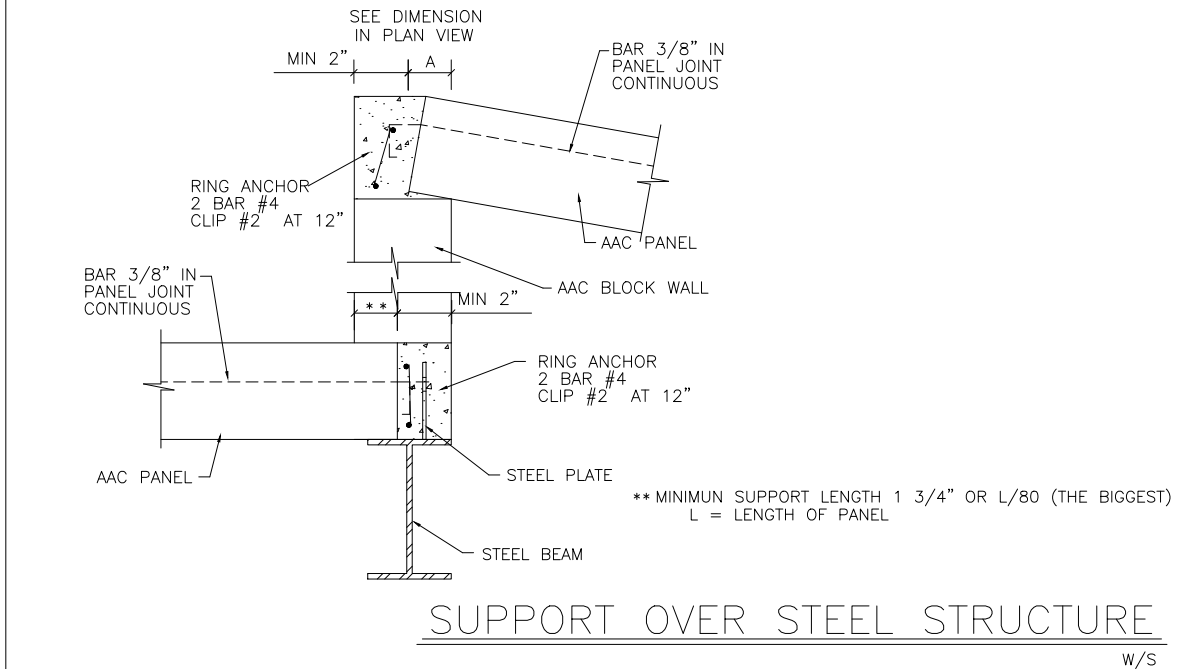
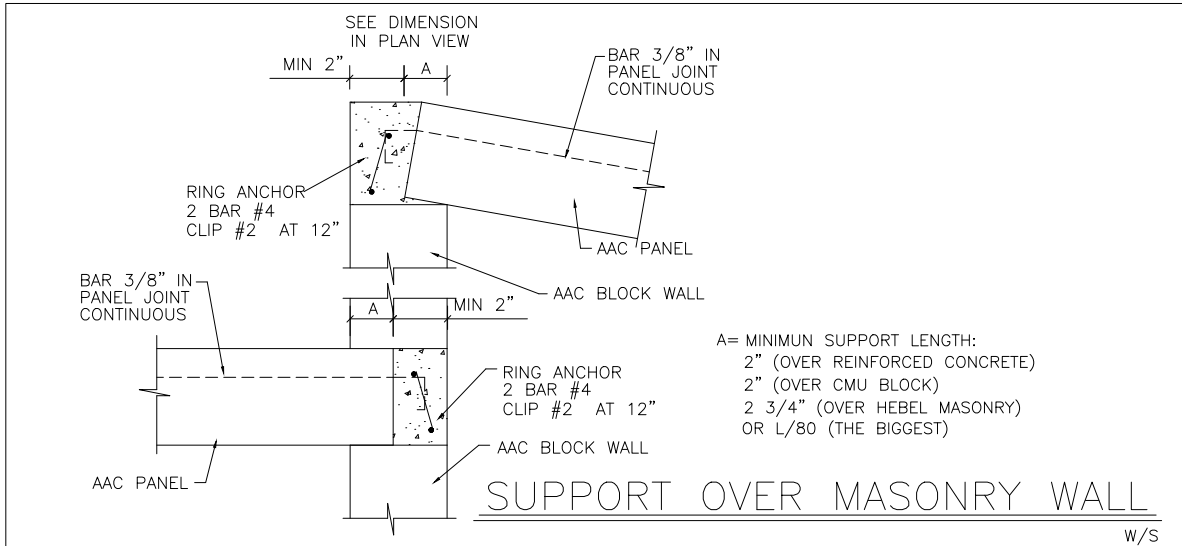


Slab Panel Floor and Roof

Technical Sheet SP-13



Panel Support Detail



NOTES

- 1.- DIMENSIONS INCHES
- 2.- PANEL THICKNESS AND DIMENSIONS OF REINFORCEMENT, ACCORDING STRUCTURAL DESIGN AND SHOP DRAWINGS.
- 3.- SUPPORT LENGTHS ARE RECOMMENDED.