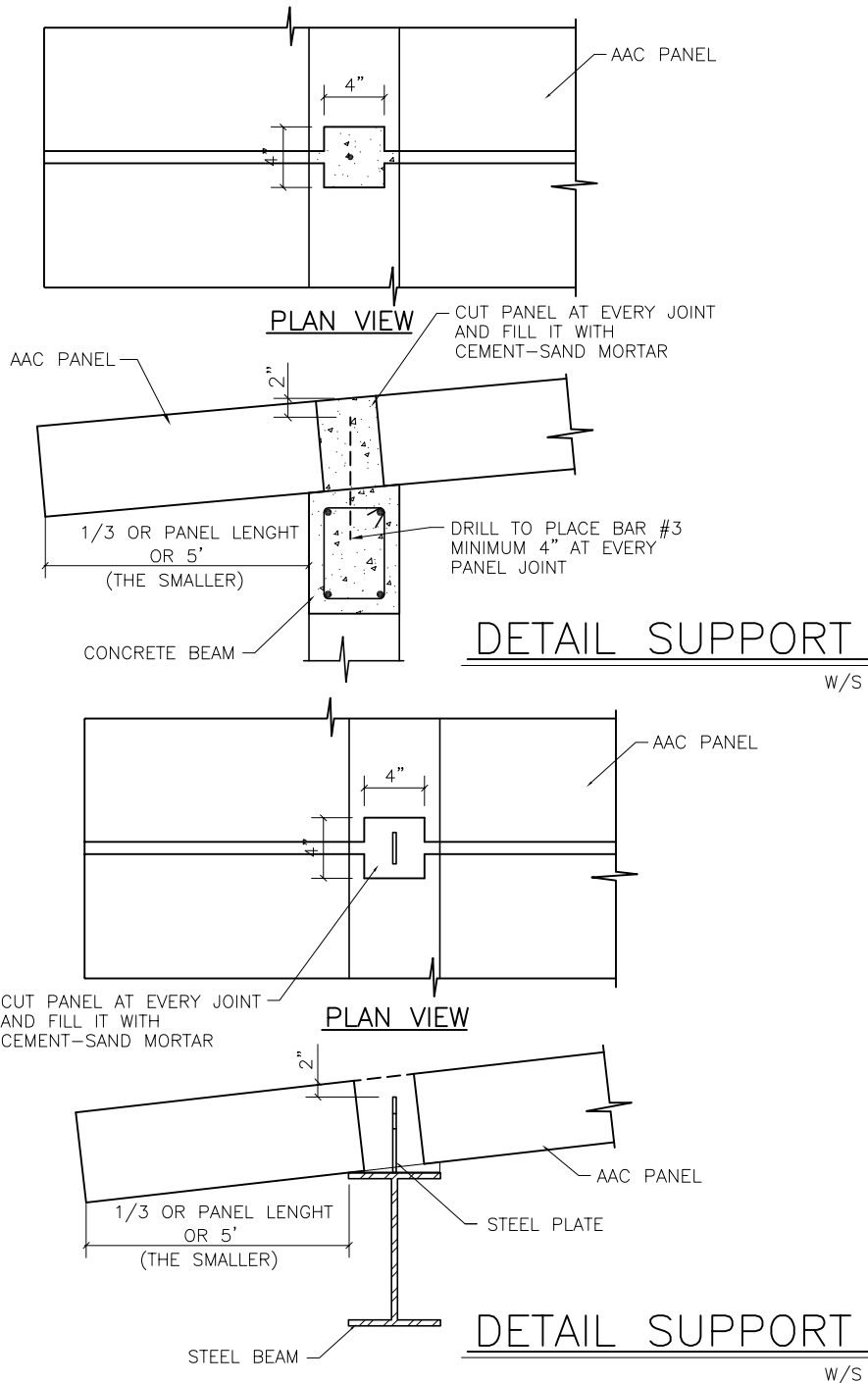


Slab Panel Floor and Roof

Technical Sheet SP-14

Panel With Cantilever Edge



NOTES

- 1.- DIMENSIONS INCHES
- 2.- PANEL THICKNESS AND DIMENSIONS OF REINFORCEMENT, ACCORDING STRUCTURAL DESIGN AND SHOP DRAWINGS.
- 3.- SUPPORT LENGHTS ARE RECOMENDED.