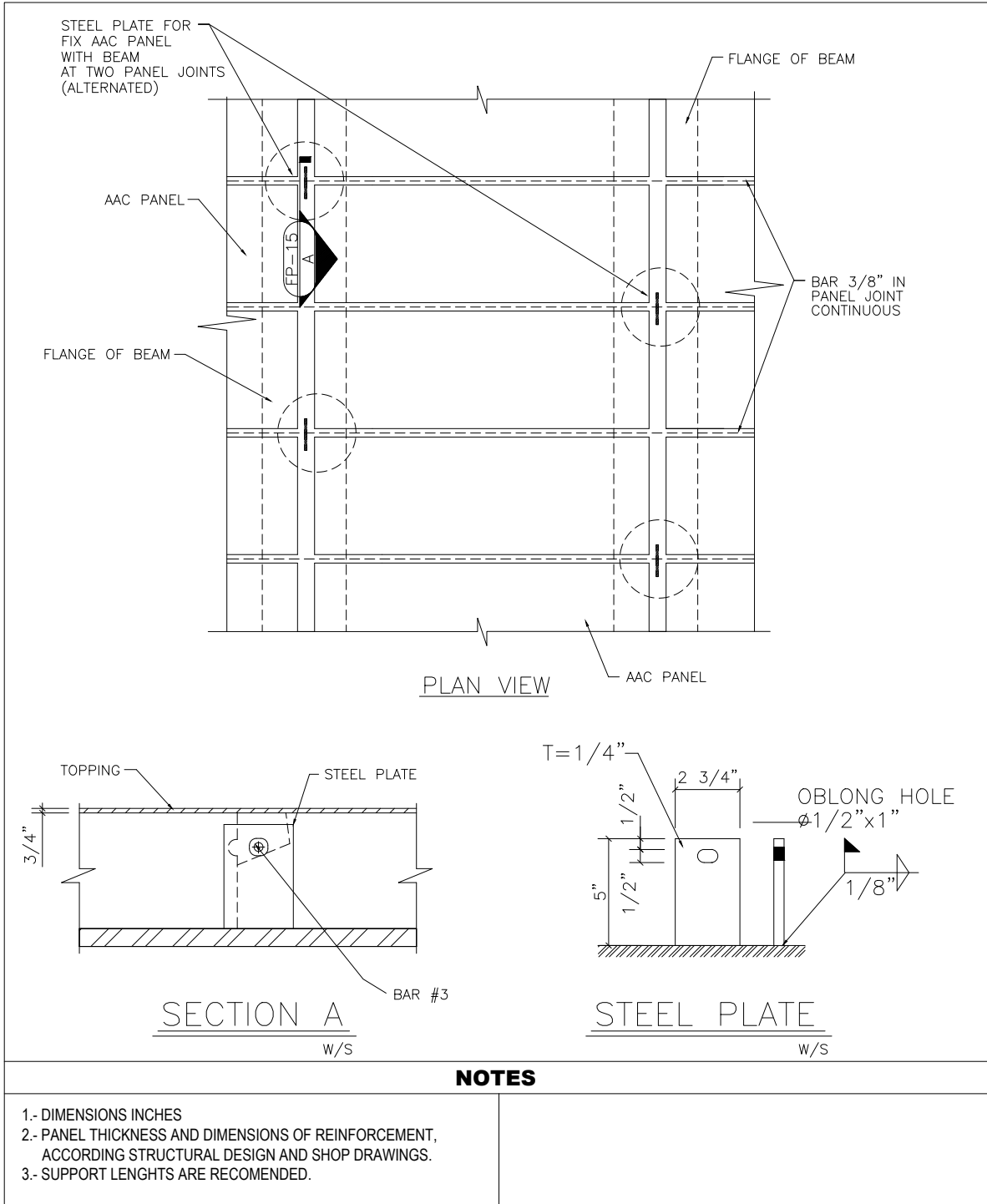


# Slab Panel Floor and Roof

Technical Sheet SP-15



## Steel Plate To Panel Connection



### NOTES

- 1.- DIMENSIONS INCHES
- 2.- PANEL THICKNESS AND DIMENSIONS OF REINFORCEMENT, ACCORDING STRUCTURAL DESIGN AND SHOP DRAWINGS.
- 3.- SUPPORT LENGTHS ARE RECOMENDED.

LITECRETE S.A. DE C.V.

Río Amacuzac #1201 Ote. ■ Col. Valle Oriente ■ San Pedro Garza García, N.L. ■ México ■ 66269

Tel. +52 (81)8399-2464 +52 (81)8399-2462 Fax +52 (81)8399-2420

[www.hebel.mx](http://www.hebel.mx)

August 2020