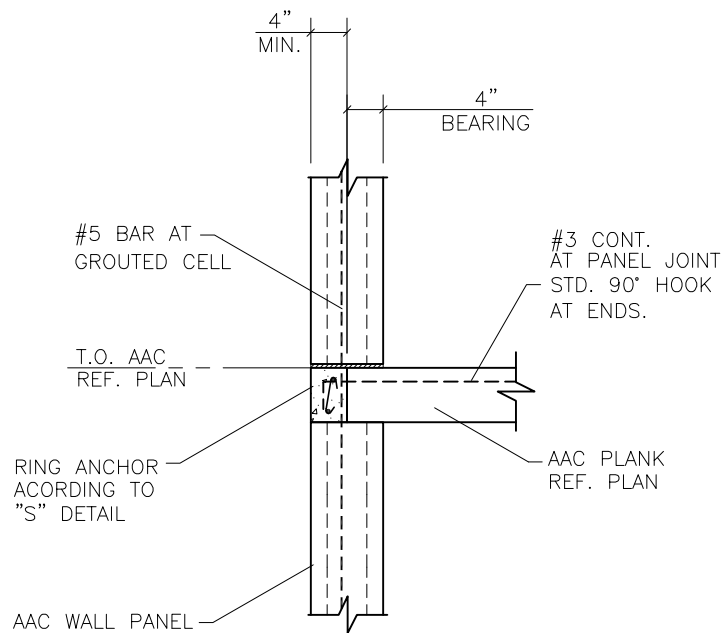


Slab Panel Floor and Roof

Technical Sheet SP-19

Panel Support Detail on Hebel Wall Panels



FRAMING SECTION

W/S

NOTES

- 1.- DIMENSIONS INCHES
- 2.- PANEL THICKNESS AND DIMENSIONS OF REINFORCEMENT, ACCORDING STRUCTURAL DESIGN AND SHOP DRAWINGS.