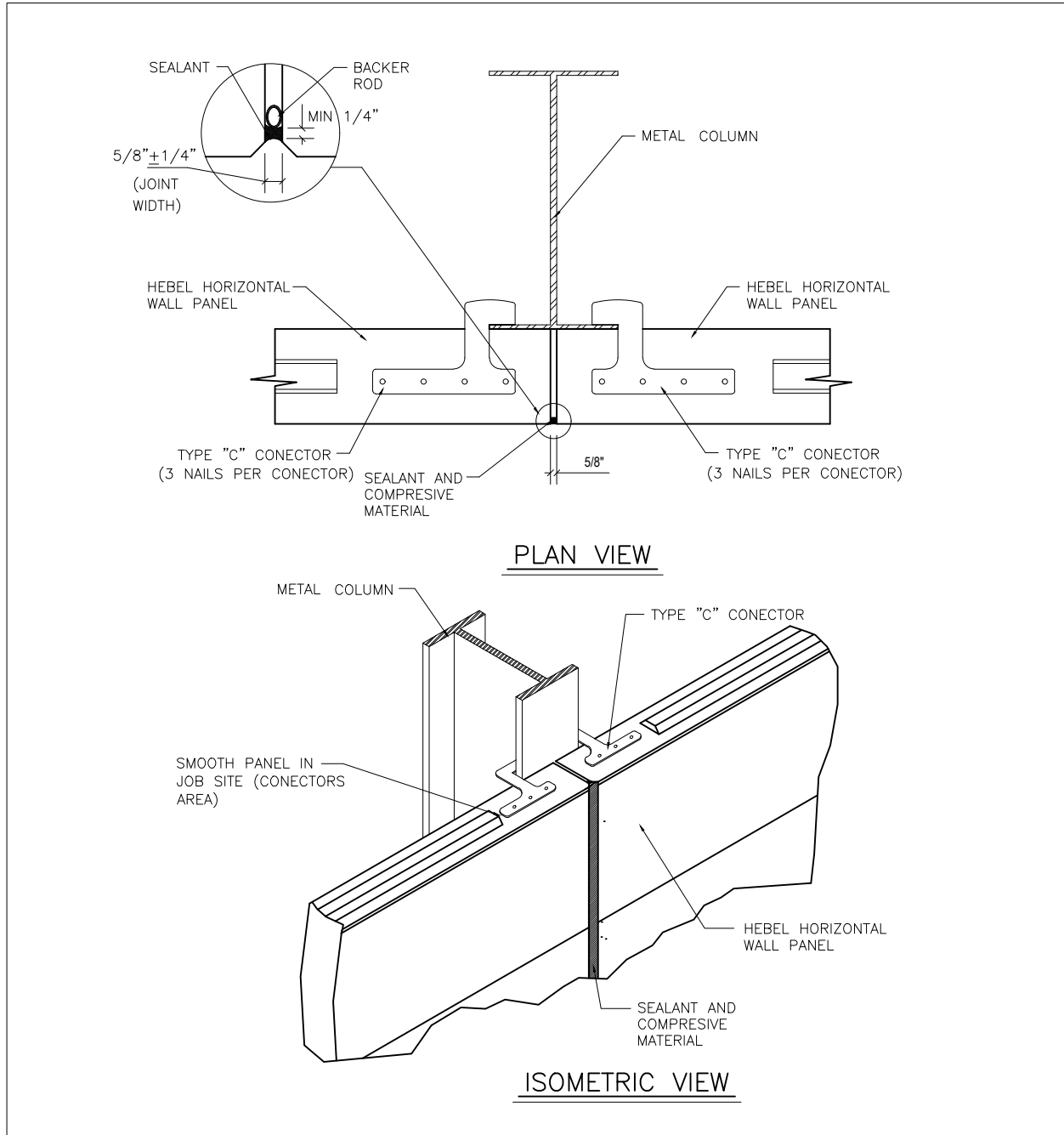


## HORIZONTAL WALL PANEL CONECTOR



### NOTES

- 1.-DIMENSIONS MILIMETERS ( IN)
- 2.-PANEL THICKNESS ACCORDING TO STRUCTURAL DESIGN
- 3.-SEE CONECTOR TYPE "C" DETAIL, IN TECHNICAL SHEET