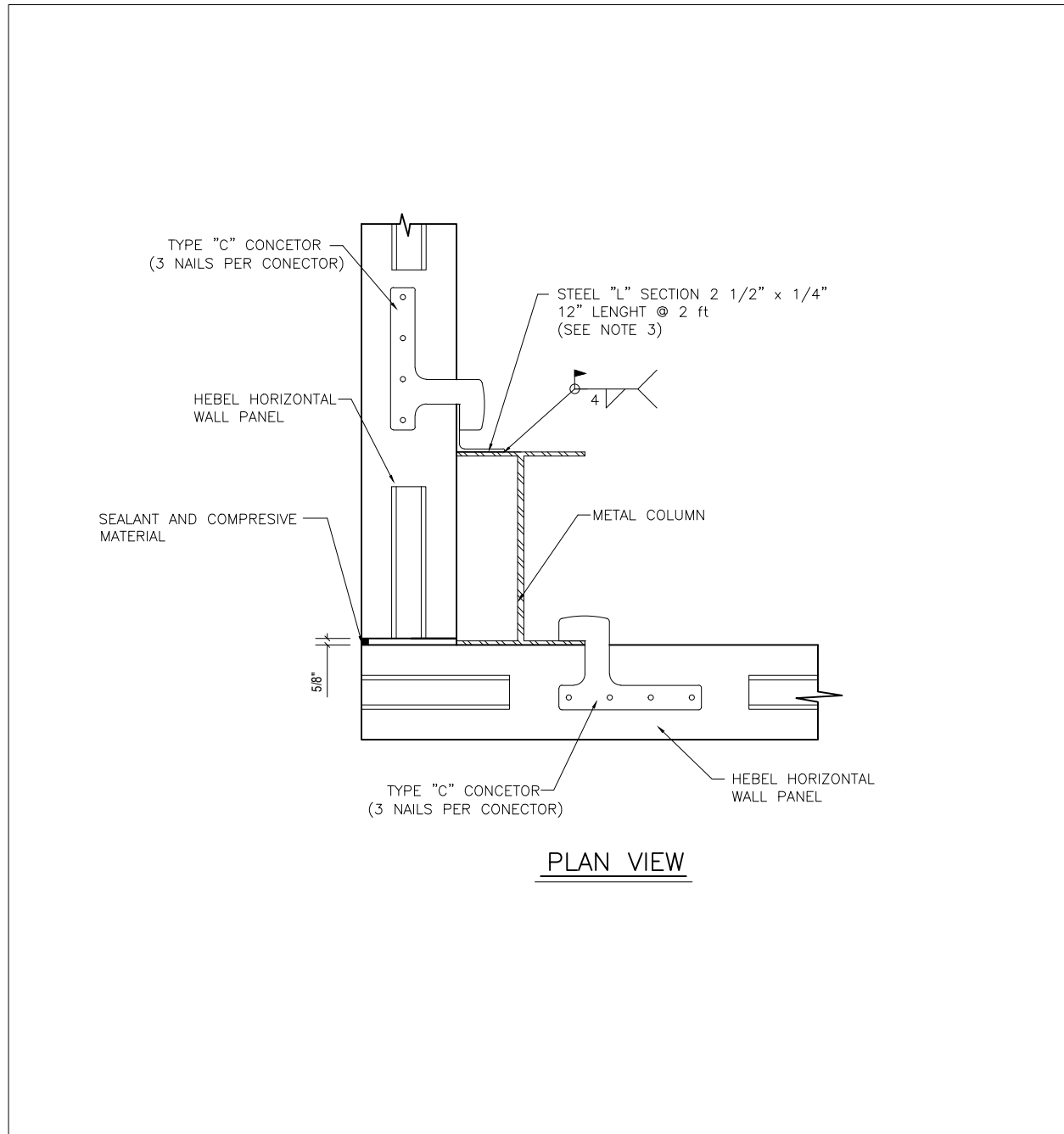


CORNER CONECTION FOR HORIZONTAL PANEL



NOTES

- 1.-DIMENSIONS MILIMETERS (IN)
- 2.-PANEL THICKNESS ACCORDING TO STRUCTURAL DESIGN
- 3.-FOR PANEL SUPPORT