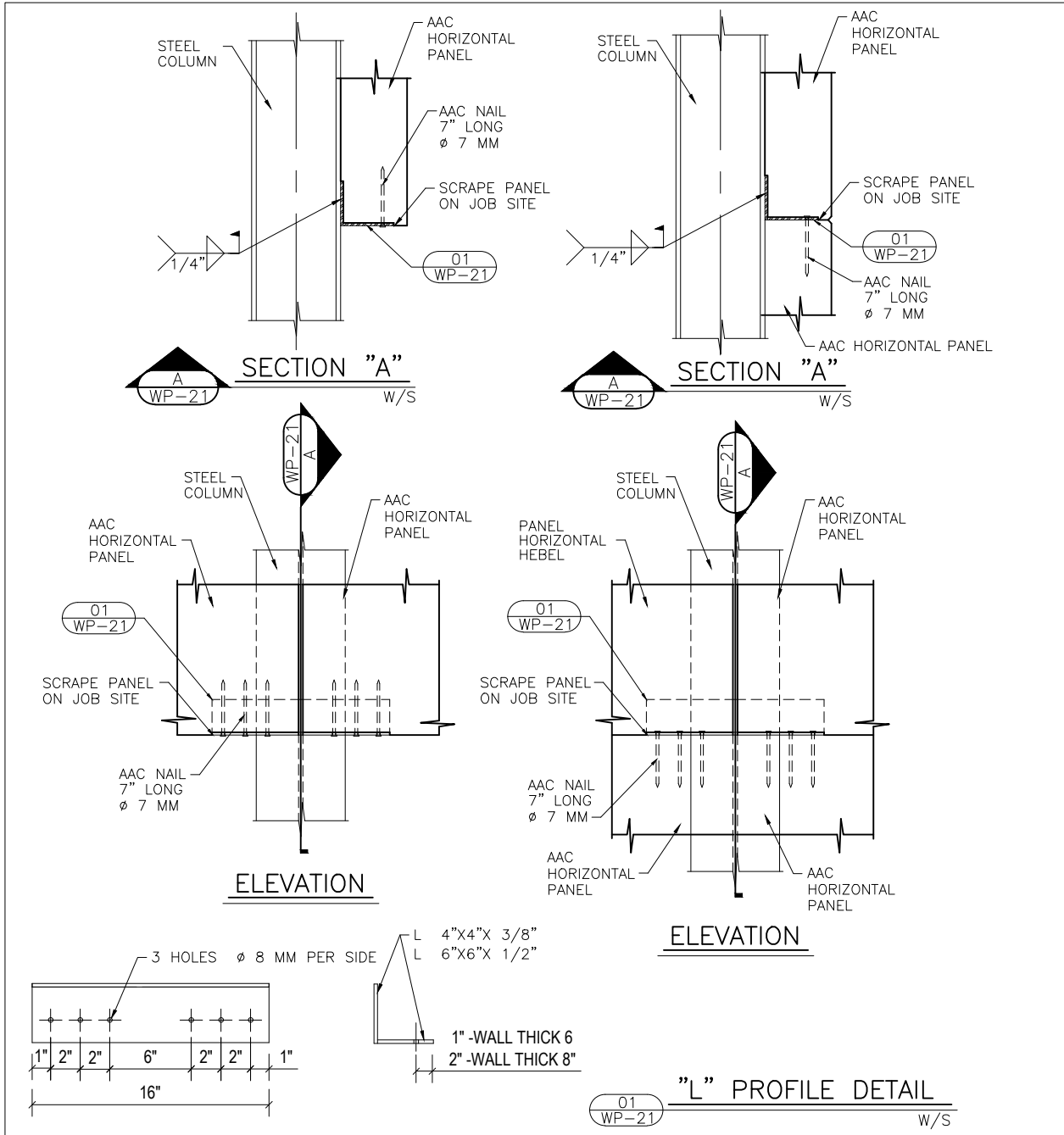


BRACKET DETAIL FOR HORIZONTAL WALL PANEL



NOTES:

- 1.- DIMENSIONS INCHES, EXCEPTI INDICATED.
- 2.- AAC WALL THICKNESS IN ACCORDANCE TO DESIGN.
- 3.- USE L 4X4X3/8 FOR WALL THICKNESS OF 6" AND L 6X6X1/2 FOR WALL THICKNESS OF 8"

LITECRETE, S.A. DE C.V.

Río Amacuzac #1201 Ote. ■ Col. Valle Oriente ■ San Pedro Garza García, N.L. ■ México ■ 66269

Tel. +52 (81)8399-2464 +52 (81)8399-2462 Fax +52 (81)8399-2420

www.hebel.mx

August 2020