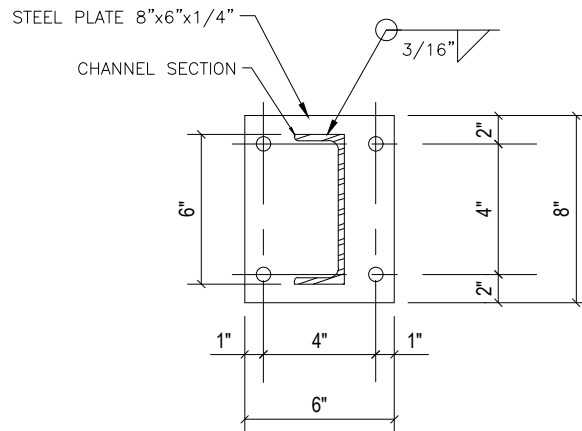
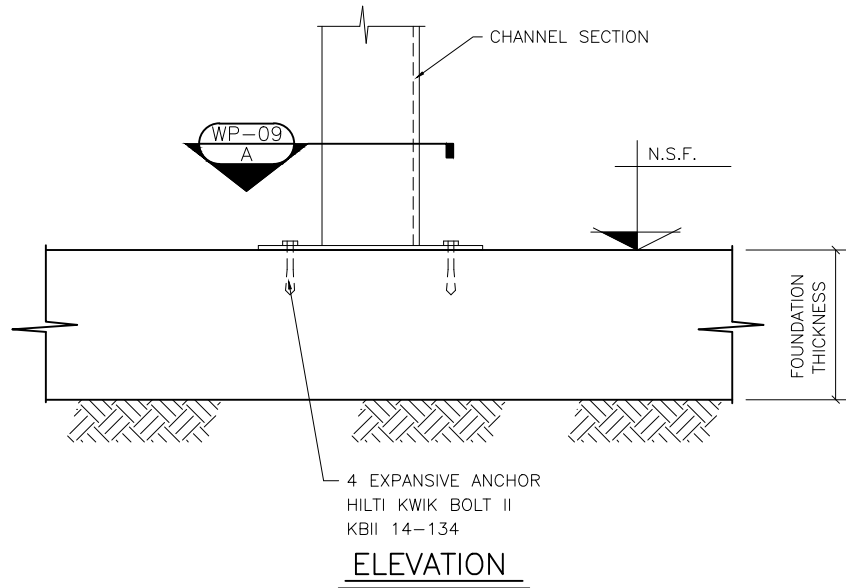


Wall Panel

Technical Sheet WP-09

STEEL PLATE FOR CHANNEL SECTIONS IN WALL OPENINGS



NOTES

- 1.- DIMENTIONS IN INCHES.
- 2.- PANEL THICKNESS ACCORDING TO STRUCTURAL DESIGN.

LITECRETE, S.A. DE C.V.

Río Amacuzac #1201 Ote. ■ Col. Valle Oriente ■ San Pedro Garza García, N.L. ■ México ■ 66269

Tel. +52 (81)8399-2464 +52 (81)8399-2462 Fax +52 (81)8399-2420

www.hebel.mx

August 2020