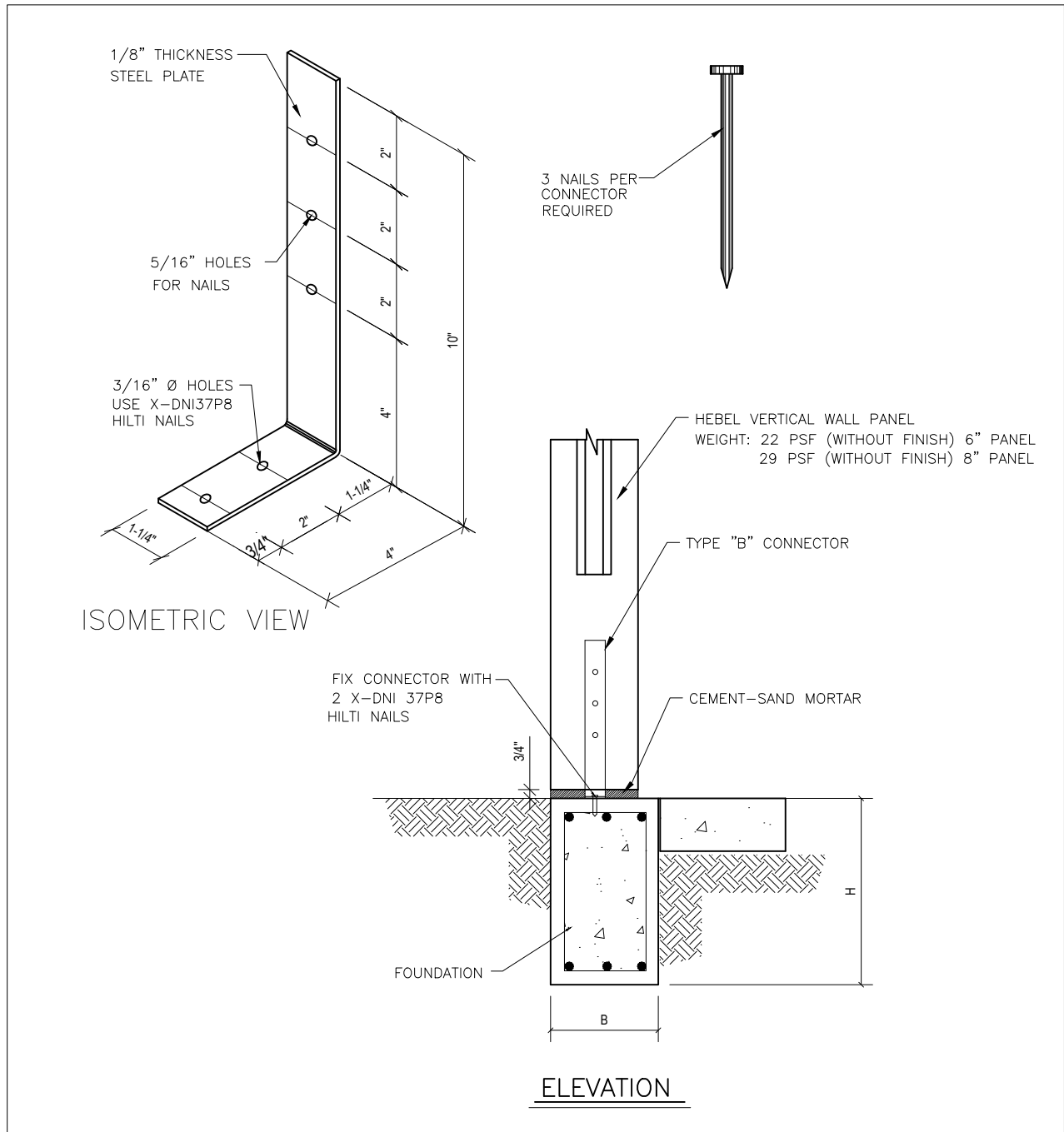


## WALL PANEL VERTICAL POSITION START



### NOTES

- 1.- DIMENTIONS IN INCHES.
- 2.- PANEL THICKNESS ACCORDING TO STRUCTURAL DESIGN.
- 3.- PANEL WEIGHT ACC6/600 45 PCF AND AAC4/500 37 PCF.
- 4.- FOUNDATION ACCORDING TO STRUCTURAL DESIGN.