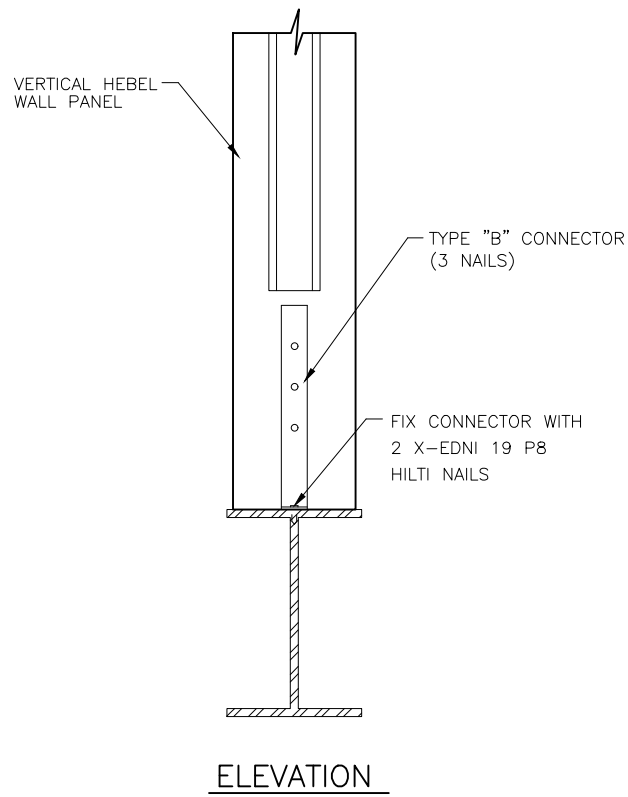


## WALL PANEL START OVER STEEL BEAM



### NOTES

- 1.- DIMENTIONS IN INCHES.
- 2.- PANEL THICKNESS ACCORDING TO STRUCTURAL DESIGN.