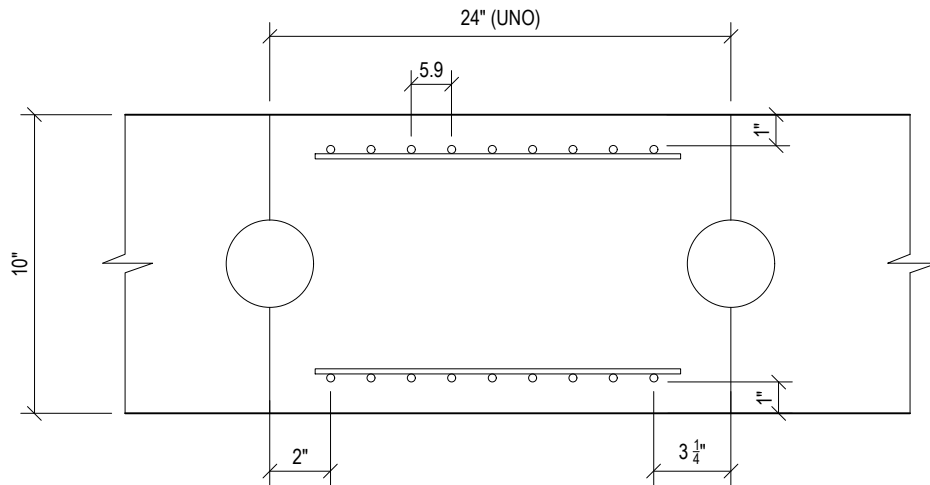
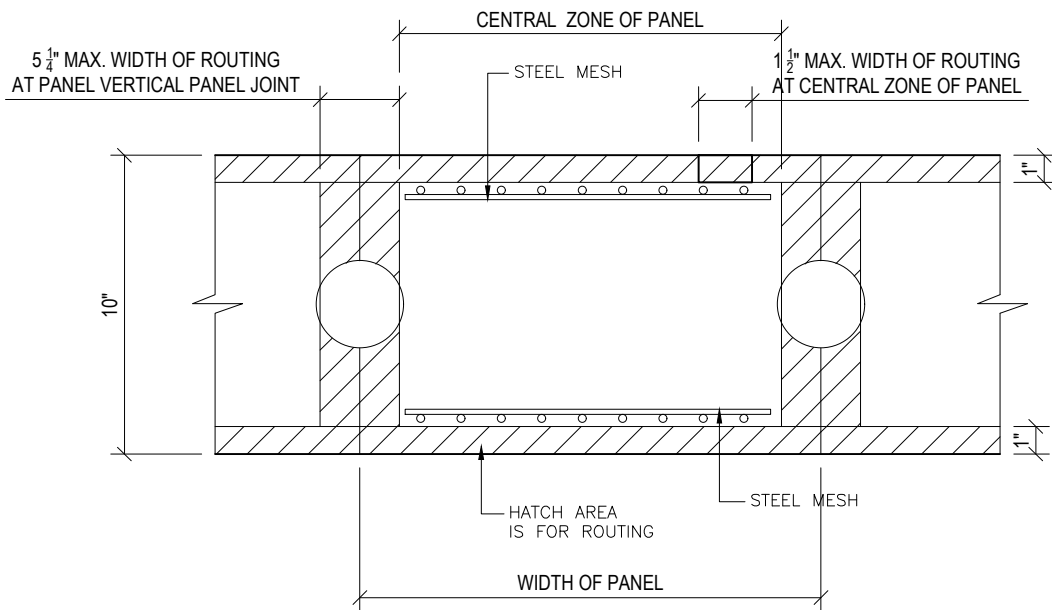


Joint Between AAC Load Bearing Wall Panel - Core



WALL PANEL VIEW PLAN



WALL PANEL VIEW PLAN

NOTES

- 1.-DIMENSIONS INCHES.
- 2.-UNO = UNLESS NOTED OTHERWISE
- 3.-ONLY ONE ROUTING PER PANEL IS PERMITTED PER PANEL